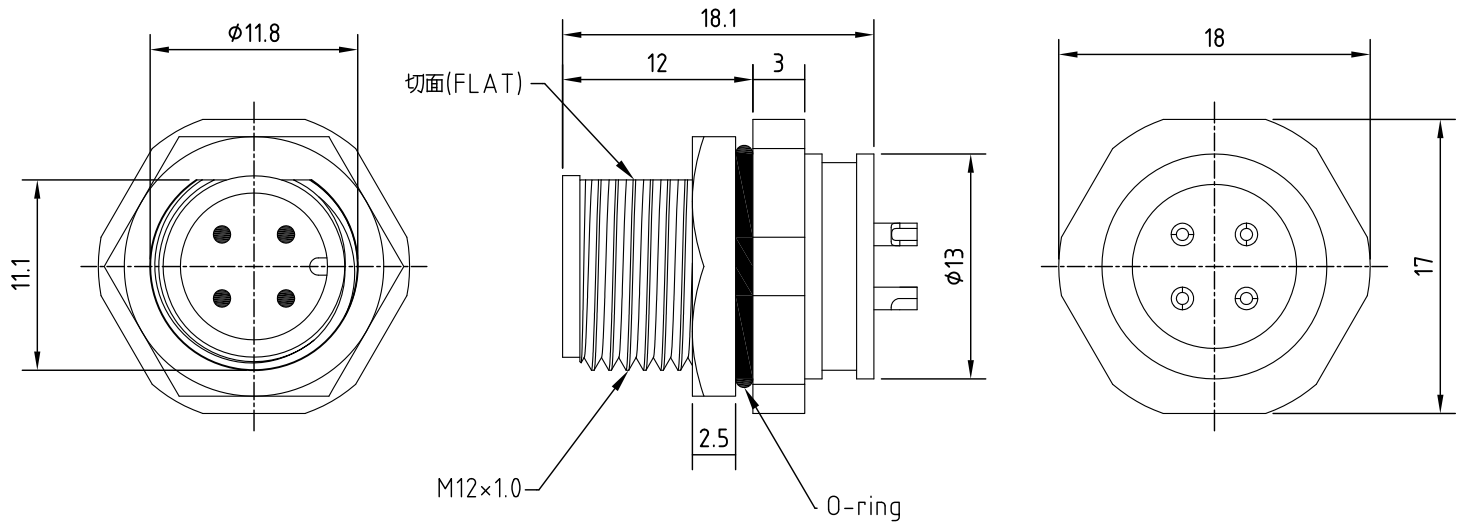


REV.	Description	Date

Specification of connector

General Characteristics

- Locking system : screw M12
- Termination : solder
- Shell protection : IP68
- Contact resistance :  $\leq 10m\Omega$
- Insulation resistance :  $\geq 10M\Omega$



RoHS  
TOLERANCE X±0.5 .X±0.3

CONTACT ARRANGEMENT FRONT VIEW (MALE)							
	2P	3P	4P	5P	6P	7P	8P
Rated voltage	250V			125V			
Rated current	5A			2A			

5	Screw nut	Brass	Nickel ptd.
4	Terminal	Brass	Gold ptd.
3	shielded cover	Brass	Nickel ptd.
2	O ring	NBR	
1	Housing	PA	UL94V-0
Item	Description	Material	Treat & Remark

**Unicable Co., Ltd. 國陽電業有限公司**  
5F., No. 111-33, Sec. 4, San Ho Road, San Chung City, Taiwan, R.O.C.  
<http://www.unicable.com.tw> TEL:+886-2-2286-2122 FAX:+886-2-2286-1010

DATE	2017/3/6	PART NO.	UT-SD170F2-XP
DWN	GINA	REV.	0
CHK			
UNIT	MM		

ITEM	Sensor Connector M12
------	----------------------