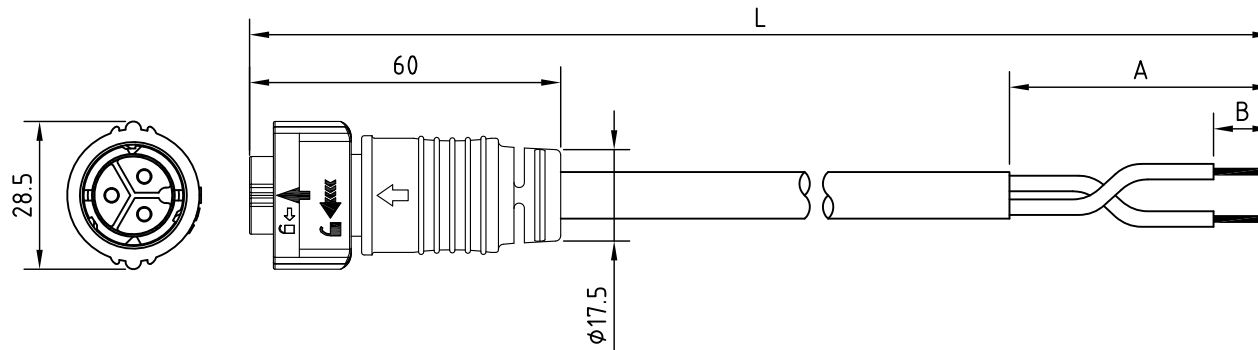


REV.	Description	Date



### Specification of connector

Locking system : Quick Push Lock  
 Termination : solder  
 Shell protection : IP68  
 Contact resistance : <10mΩ  
 Insulation resistance : >10MΩ

**Materials**  
 Pin contact : brass  
 Contact plating : gold  
 Female insert : PA  
 Ring nut : PA

### Specification of cable

Material Jacket	PVC	PUR

RoHS

CONTACT ARRANGEMENT FRONT VIEW (FEMALE)	2P	3P	4P	5P	6P
Rated voltage	300V		250V	60V	
Rated current	20A		10A	10A	



**Unicable Co., Ltd. 國陽電業有限公司**

5F., No. 111-33, Sec. 4, San Ho Road., San Chung Dist., New Taipei City, Taiwan, R.O.C.  
<http://www.unicable.com.tw> TEL:+886-2-2286-2122 FAX:+886-2-2286-1010

DATE	2019/12/17	PART NO.	UT-D365F2-XP
DWN	GINA	REV.	0
CHK			
UNIT	MM		

ITEM	Type J(J4): female conn. 2-6P
------	-------------------------------