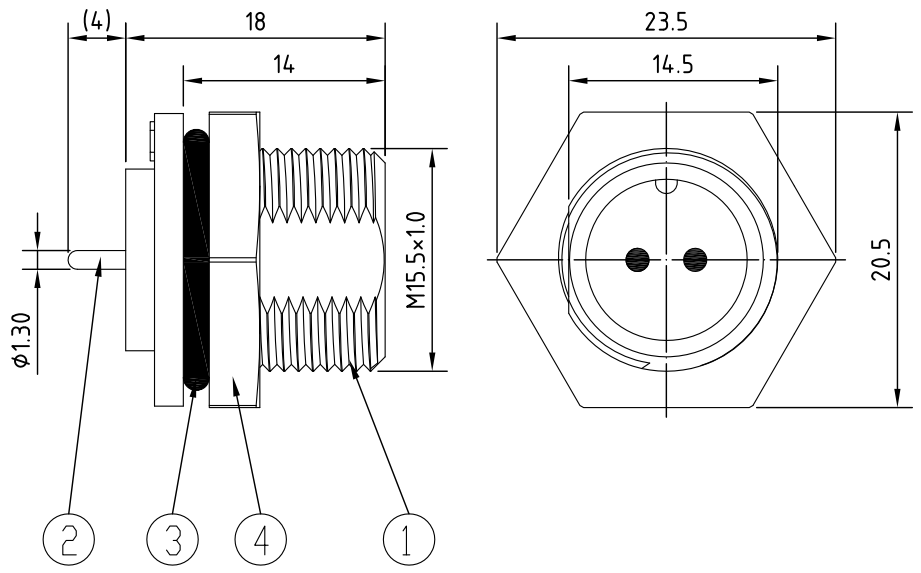


REV.	Description	Date



### Specification of connector

- Locking system : screw M15.5
- Termination : DIP
- Shell protection : IP68
- Rated voltage : 250V
- Rated current : 10A
- Contact resistance :  $\leq 10\text{m}\Omega$
- Insulation resistance :  $> 10\text{M}\Omega$

RoHS

TOLERANCE X $\pm$ 0.5 .X $\pm$ 0.3 .XX $\pm$ 0.2

PART NO.	UT-SD210F1-2P-02	UT-SD210F1-3P-02	UT-SD210F1-4AP-02
CONTACT ARRANGEMENT FRONT VIEW (MALE)			
PCB Layout			

4	Nut	PA	
3	O ring	Rubber	
2	Pin	Brass	Gold plated
1	Body	PA	
Item	Description	Material	Treat & Remark

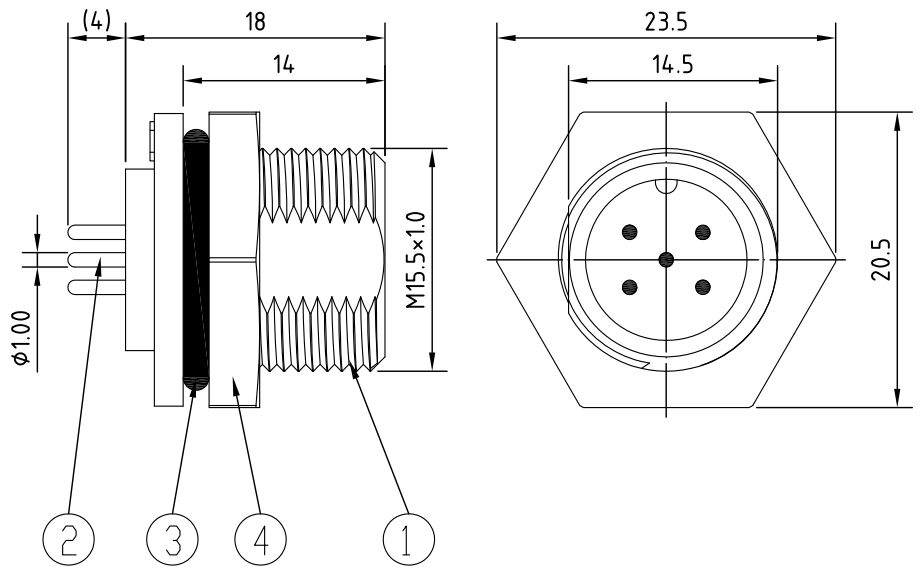


**Unicable Co., Ltd. 國陽電業有限公司**  
 5F., No. 111-33, Sec. 4, San Ho Road, San Chung City, Taiwan, R.O.C.  
<http://www.unicable.com.tw> TEL:+886-2-2286-2122 FAX:+886-2-2286-1010

DATE	2016/10/7	PART NO.	UT-SD210F1-XP-02
DWN	GINA	REV.	0
CHK			
UNIT	MM		

ITEM	Sensor Connector M15.5(2-4APIN)
------	---------------------------------

REV.	Description	Date



### Specification of connector

- Locking system : screw M15.5
- Termination : DIP
- Shell protection : IP68
- Rated voltage : 250V(4BP)/125V(5P-8P)
- Rated current : 5A
- Contact resistance :  $\leq 10\text{m}\Omega$
- Insulation resistance :  $>10\text{M}\Omega$

RoHS

TOLERANCE X $\pm$ 0.5 .X $\pm$ 0.3 .XX $\pm$ 0.2

PART NO.	UT-SD210F1-4BP-02	UT-SD210F1-5P-02	UT-SD210F1-6P-02	UT-SD210F1-7P-02	UT-SD210F1-8P-02
CONTACT ARRANGEMENT FRONT VIEW (MALE)					
PCB Layout					

4	Nut	PA	
3	O ring	Rubber	
2	Pin	Brass	Gold plated
1	Body	PA	
Item	Description	Material	Treat & Remark

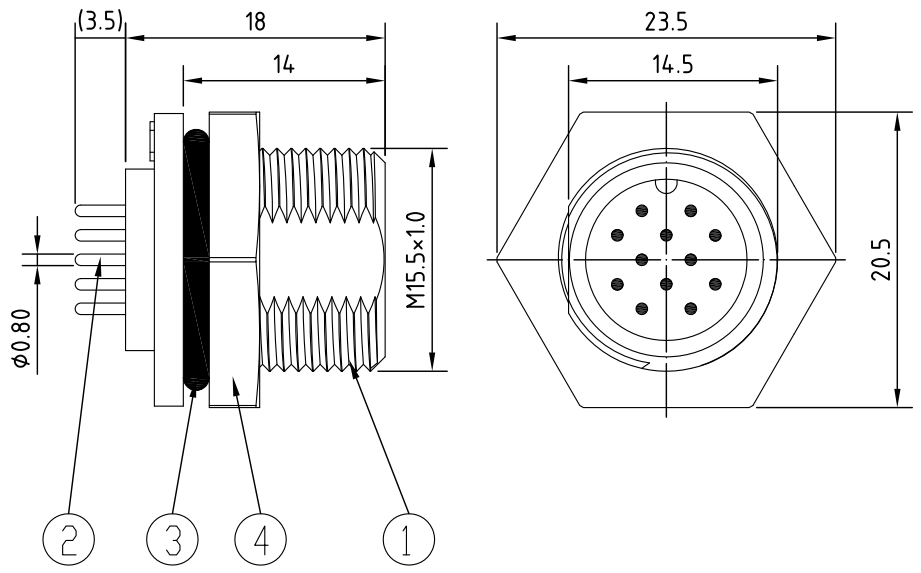


**Unicable Co., Ltd. 國陽電業有限公司**  
 5F., No. 111-33, Sec. 4, San Ho Road, San Chung City, Taiwan, R.O.C.  
<http://www.unicable.com.tw> TEL:+886-2-2286-2122 FAX:+886-2-2286-1010

DATE	2016/10/7	PART NO.	UT-SD210F1-XP-02
DWN	GINA	REV.	0
CHK			
UNIT	MM		

ITEM	Sensor Connector M15.5(4B-8PIN)
------	---------------------------------

REV.	Description	Date



### Specification of connector

- Locking system : screw M15.5
- Termination : DIP
- Shell protection : IP68
- Rated voltage : 60V
- Rated current : 2A
- Contact resistance :  $\leq 10\text{m}\Omega$
- Insulation resistance :  $> 10\text{M}\Omega$

RoHS

TOLERANCE X $\pm$ 0.5 .X $\pm$ 0.3 .XX $\pm$ 0.2

PART NO.	UT-SD210F1-10P-02	UT-SD210F1-12P-02
CONTACT ARRANGEMENT FRONT VIEW (MALE)		
PCB Layout		

4	Nut	PA	
3	O ring	Rubber	
2	Pin	Brass	Gold plated
1	Body	PA	
Item	Description	Material	Treat & Remark



**Unicable Co., Ltd. 國陽電業有限公司**

5F., No. 111-33, Sec. 4, San Ho Road, San Chung City, Taiwan, R.O.C.  
<http://www.unicable.com.tw> TEL:+886-2-2286-2122 FAX:+886-2-2286-1010

DATE	2016/10/7	PART NO.	UT-SD210F1-XP-02
DWN	GINA	REV.	0
CHK			
UNIT	MM		

ITEM	Sensor Connector M15.5(10-12PIN)
------	----------------------------------