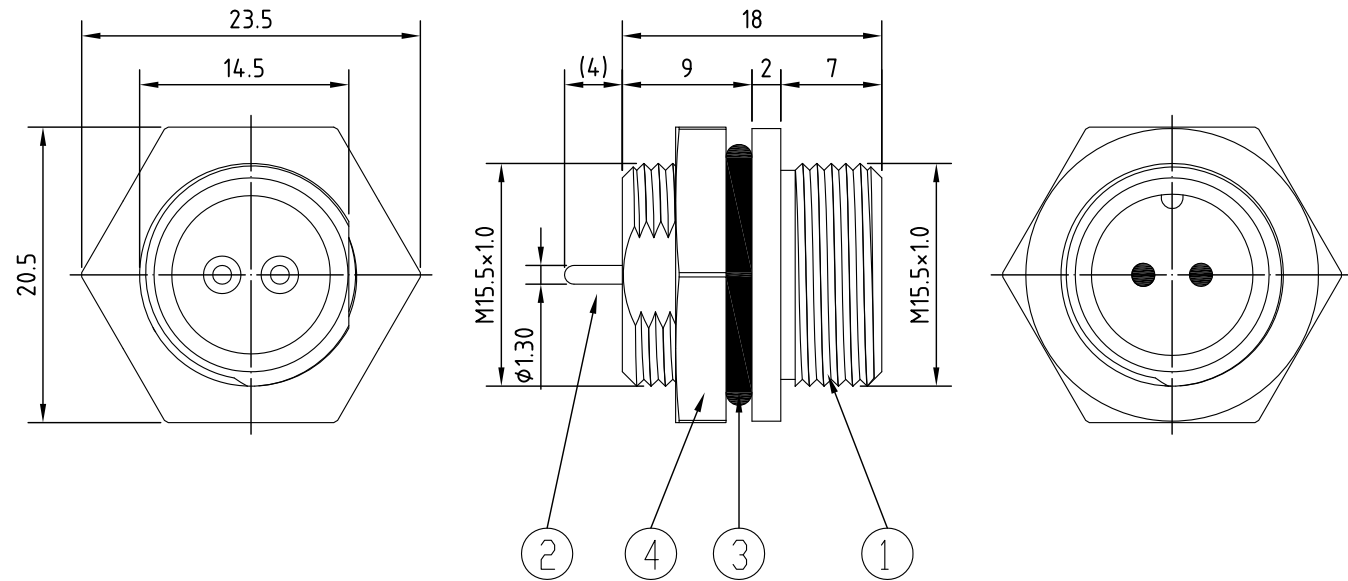


REV.	Description	Date



Specification of connector

- Locking system : screw M15.5
- Termination : DIP
- Shell protection : IP68
- Rated voltage : 250V
- Rated current : 10A
- Contact resistance : $\leq 10\text{m}\Omega$
- Insulation resistance : $>10\text{M}\Omega$

RoHS

TOLERANCE X \pm 0.5 .X \pm 0.3 .XX \pm 0.2

PART NO.	UT-SD210F2-2P-02	UT-SD210F2-3P-02	UT-SD210F2-4AP-02
CONTACT ARRANGEMENT FRONT VIEW (MALE)			
PCB Layout			

4	Nut	PA	
3	O ring	Rubber	
2	Pin	Brass	Gold plated
1	Body	PA	
Item	Description	Material	Treat & Remark

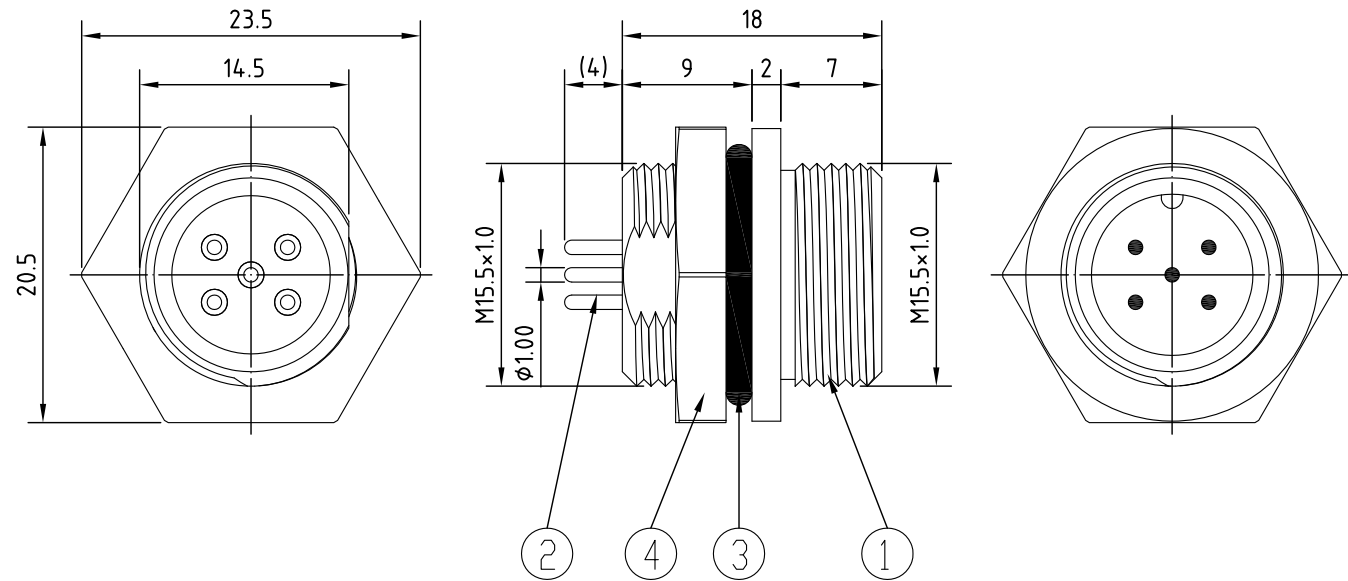


Unicable Co., Ltd. 國陽電業有限公司
 5F., No. 111-33, Sec. 4, San Ho Road, San Chung City, Taiwan, R.O.C.
<http://www.unicable.com.tw> TEL:+886-2-2286-2122 FAX:+886-2-2286-1010

DATE	2016/10/7	PART NO.	UT-SD210F2-XP-02
DWN	GINA	REV.	0
CHK			
UNIT	MM		

ITEM	Sensor Connector M15.5(2-4APIN)
------	---------------------------------

REV.	Description	Date



Specification of connector

- Locking system : screw M15.5
- Termination : DIP
- Shell protection : IP68
- Rated voltage : 250V(4BP)/125V(5P-8P)
- Rated current : 5A
- Contact resistance : $\leq 10\text{m}\Omega$
- Insulation resistance : $>10\text{M}\Omega$

RoHS
TOLERANCE X \pm 0.5 .X \pm 0.3 .XX \pm 0.2

PART NO.	UT-SD210F2-4BP-02	UT-SD210F2-5P-02	UT-SD210F2-6P-02	UT-SD210F2-7P-02	UT-SD210F2-8P-02
CONTACT ARRANGEMENT FRONT VIEW (MALE)					
PCB Layout					

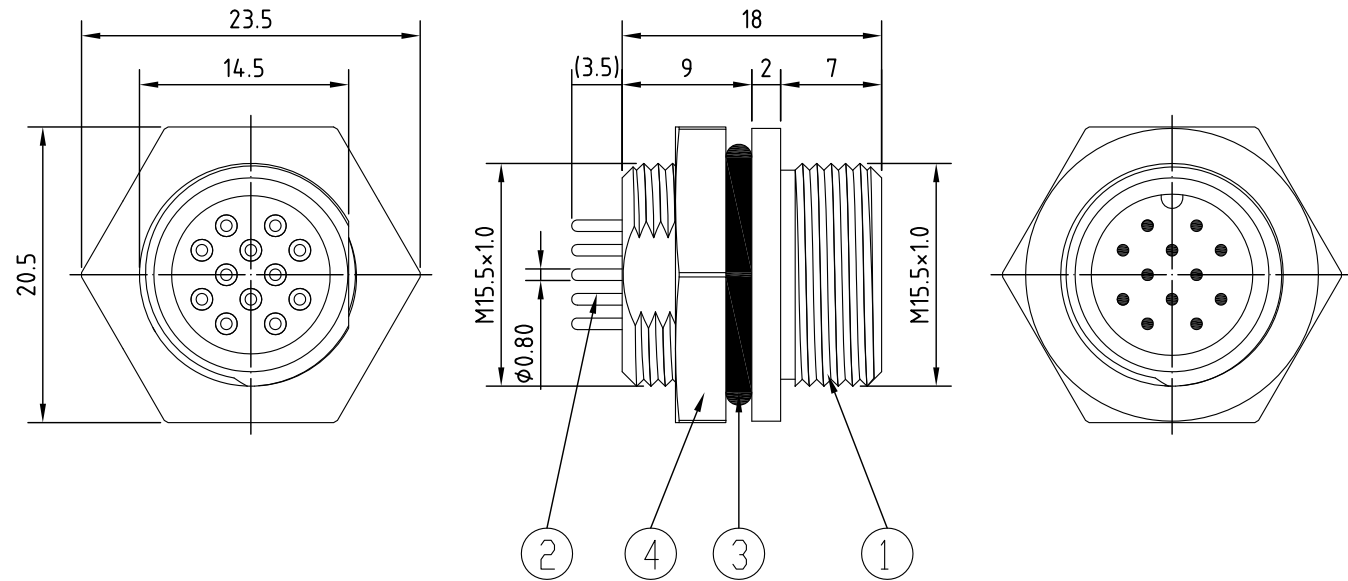
4	Nut	PA	
3	O ring	Rubber	
2	Pin	Brass	Gold plated
1	Body	PA	
Item	Description	Material	Treat & Remark

 **Unicable Co., Ltd. 國陽電業有限公司**
5F., No. 111-33, Sec. 4, San Ho Road, San Chung City, Taiwan, R.O.C.
<http://www.unicable.com.tw> TEL:+886-2-2286-2122 FAX:+886-2-2286-1010

DATE	2016/10/7	PART NO.	UT-SD210F2-XP-02
DWN	GINA	REV.	0
CHK			
UNIT	MM		

ITEM Sensor Connector M15.5(4B-8PIN)

REV.	Description	Date



Specification of connector

- Locking system : screw M15.5
- Termination : DIP
- Shell protection : IP68
- Rated voltage : 60V
- Rated current : 2A
- Contact resistance : $\leq 10\text{m}\Omega$
- Insulation resistance : $>10\text{M}\Omega$

RoHS

TOLERANCE X \pm 0.5 .X \pm 0.3 .XX \pm 0.2

PART NO.	UT-SD210F2-10P-02	UT-SD210F2-12P-02
CONTACT ARRANGEMENT FRONT VIEW (MALE)		
PCB Layout		

4	Nut	PA	
3	O ring	Rubber	
2	Pin	Brass	Gold plated
1	Body	PA	
Item	Description	Material	Treat & Remark



Unicable Co., Ltd. 國陽電業有限公司
 5F., No. 111-33, Sec. 4, San Ho Road, San Chung City, Taiwan, R.O.C.
<http://www.unicable.com.tw> TEL:+886-2-2286-2122 FAX:+886-2-2286-1010

DATE	2016/10/7	PART NO.	UT-SD210F2-XP-02
DWN	GINA	REV.	0
CHK			
UNIT	MM		

ITEM	Sensor Connector M15.5(10-12PIN)
------	----------------------------------