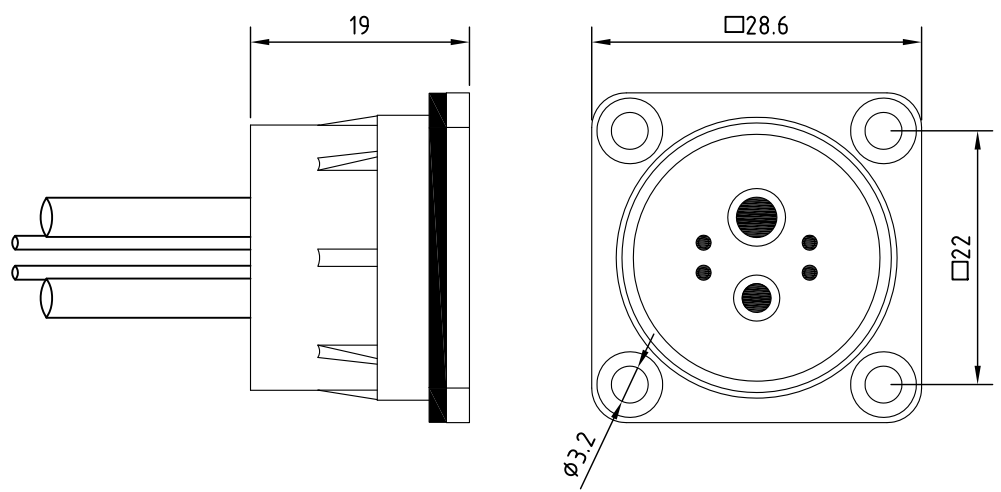


REV.	Description	Date

Specification of connector

Locking system : magnetic
 Shell protection : IP64 when mated
 Rated voltage : 12-48V
 Rated current : Large pin 20A



RoHS
 TOLERANCE X±0.5 .X±0.3

3	Pin	Brass	gold plated
2	Pad	Rubber	
1	Body	PA	
Item	Description	Material	Treat & Remark



Unicable Co., Ltd. 國陽電業有限公司
 5F., No. 111-33, Sec. 4, San Ho Road, San Chung City, Taiwan, R.O.C.
<http://www.unicable.com.tw> TEL:+886-2-2286-2122 FAX:+886-2-2286-1010

DATE	2016/10/7	PART NO.	UT-SD336F-6P
DWN	GINA	REV.	0
CHK			
UNIT	MM		

ITEM	Waterproof Magnetic series
------	----------------------------